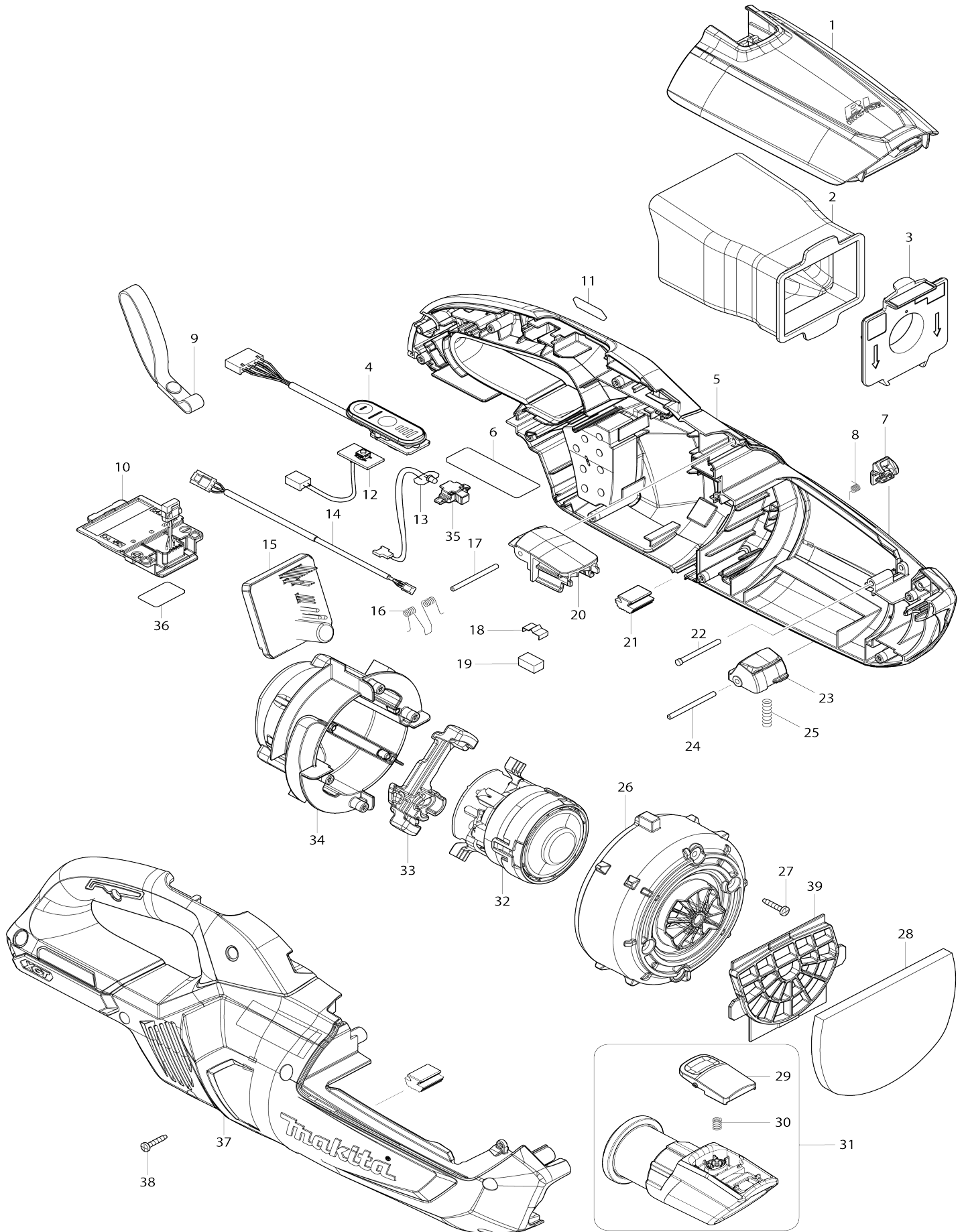


Model No.CL002G CORDLESS CLEANER



Model No.CL002G CORDLESS CLEANER

Item No.	Parts No.	Description
001	141F22-8	FRONT COVER COMPLETE
C10	424093-7	SEAL
001D	141F10-5	FRONT COVER COMPLETE
C10	424093-7	SEAL
002	198749-5	EASY SHAKE OFF DUST BAG SET EU
002-1	1910M4-5	HIGH PERFORMANCE DUST BAG SET
003	140K23-3	VALVE STAY COMPLETE
004	141B54-1	INDICATION CIRCUIT COMPLETE
C10	8031J2-9	SWITCH LABEL
005	183U76-9	HOUSING SET
C10	263005-3	RUBBER PIN 6
C20	422714-5	SPONGE SEAT
005		INC. 21,37
005D	183U26-4	HOUSING SET
C10	263005-3	RUBBER PIN 6
C20	422714-5	SPONGE SEAT
005D		INC. 21,37
006	8115A3-4	CL002G NAME PLATE
007	459352-0	STOPPER PLATE
007D	459327-9	STOPPER PLATE
008	232484-6	TORSION SPRING 4
010	632P65-6	TERMINAL UNIT
011	8005T5-8	XGT LOGO LABEL
012	620E74-1	SWITCH UNIT
013	620E82-2	LED CIRCUIT
014	632S32-9	LEAD UNIT
015	620E90-3	CONTROLLER
016	233580-3	TORSION SPRING 4
017	268271-7	PIN 3
018	232264-0	LEAF SPRING
019	424367-6	RUBBER
020	459350-4	FRONT COVER JOINT
020D	459330-0	FRONT COVER JOINT
021	422460-0	RUBBER PLATE
022	256590-3	FLAT FILLISTER HD. PIN 3
023	459348-1	BUTTON B
023D	459329-5	BUTTON B
024	268271-7	PIN 3
025	233344-5	COMPRESSION SPRING 4
026	413645-9	MOTOR COVER F
027	266429-2	TAPPING SCREW 3X16
028	424804-0	SPONGE SHEET 76-110
029	413F33-6	BUTTON C
030	232485-4	COMPRESSION SPRING 5
031	136587-7	INLET ASS'Y
C10	424094-5	PACKING

031		INC. 29,30
031D	136585-1	INLET ASS'Y
C10	424094-5	PACKING
031D		INC. 29,30
032	629A46-9	MOTOR ASSEMBLY
033	422723-4	MOTOR COVER SEAL
034	141E55-7	MOTOR COVER R COMPLETE
C10	263002-9	RUBBER PIN 4
035	141H09-2	LED CASE COMPLETE
036	8115A9-2	CL002G SERIAL NO. LABEL
037	183U76-9	HOUSING SET
C10	263005-3	RUBBER PIN 6
C20	422714-5	SPONGE SEAT
037		INC. 5,21
037D	183U26-4	HOUSING SET
C10	263005-3	RUBBER PIN 6
C20	422714-5	SPONGE SEAT
037D		INC. 5,21
038	266429-2	TAPPING SCREW 3X16
039	413J77-0	GUARD
A01	127827-4	NOZZLE ASSEMBLY
C10	451410-8	ROLLER
C20	268208-4	PIN 3
C30	422963-4	WIPER
A01D	127825-8	NOZZLE ASSEMBLY
C10	451410-8	ROLLER
C20	268208-4	PIN 3
C30	422963-4	WIPER
A02	413859-0	SASH NOZZLE
A02D	413770-6	SASH NOZZLE
A03	459355-4	NOZZLE HOLDER
A03D	459354-6	NOZZLE HOLDER
A04	459356-2	PIPE
A04D	459353-8	PIPE
A09	194566-1	PAPER FILTER SET (5PCS/SET)
A09-1	198745-3	PAPER FILTER SET
A10B	***DC40RC	DC40RC FAST CHARGER
A10B		COMPO-PARTS
A10C	***DC40RA	DC40RA FAST CHARGER
A10C		COMPO-PARTS
A11B	191L29-0	BATTERY BL4020 SET
A11C	191B36-3	BATTERY BL4025 SET
A12	412393-7	BATTERY COVER
E01	688163-8	LINE FILTER
F03	198747-9	DUST BAG SET EU
F12	191D76-3	STRAIGHT PIPE SET 340
F13	1910M4-5	HIGH PERFORMANCE DUST BAG SET
F88	191X06-4	NOZZLE ASSEMBLY SET
F92	1911L1-0	CLEANER STAND SET